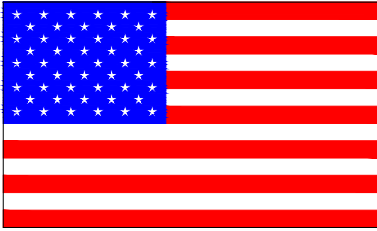




Woodbine, Iowa

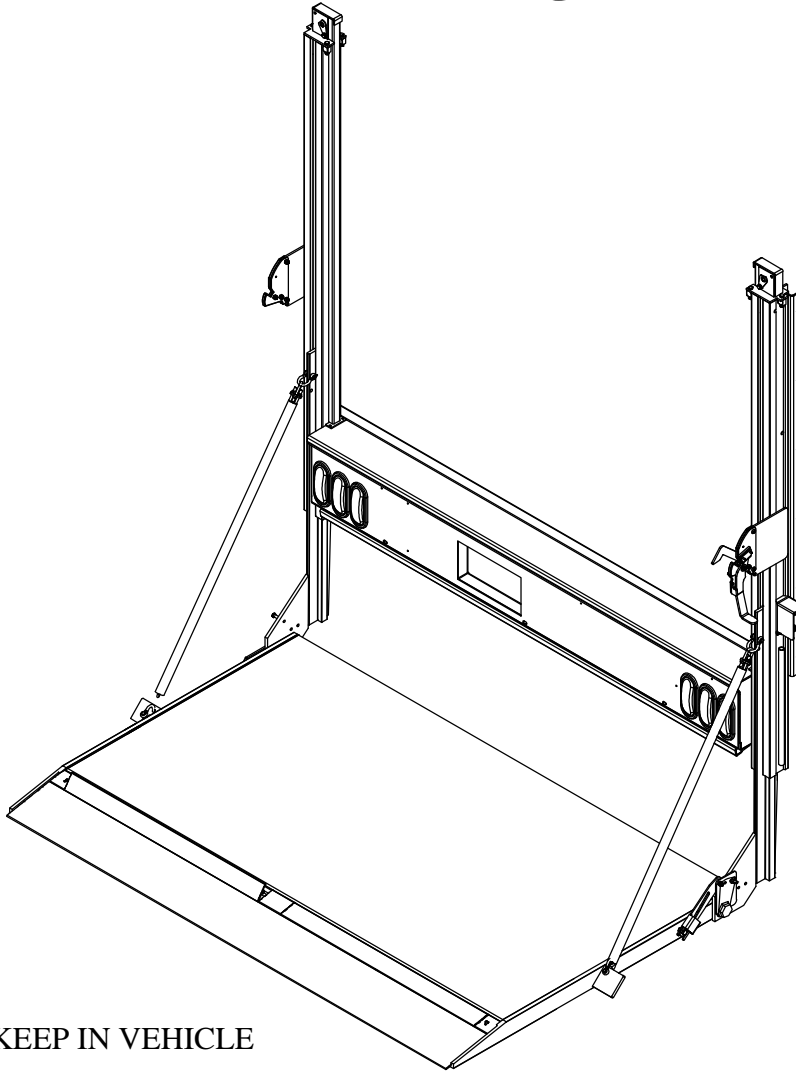


Made in America

OWNER'S / OPERATOR'S MANUAL

- Safety Information
- Warranty Information
- Operator's Instructions
- Maintenance Instructions
- Parts List

1600 & 2000 Aluminum Roller Railgate Series



PLEASE KEEP IN VEHICLE



Before installing or using this liftgate, please observe the Vehicle Loading Limitations. These loading limitations are outlined in the Vehicle Owner's Manual and the Safety Compliance Certification Label located on the drivers door pillar.



TABLE OF CONTENTS

	<u>Page#</u>
<u>Introduction</u>	
To the Owner\Operator	3
<u>Safety Decals</u>	
Location and Descriptions	4 - 6
Decal Replacement	6
<u>Operator's Instructions</u>	
Railgate Terms and Method of Operation	7
Torsion Spring Operator's Instructions	8 - 11
<u>Electrical Wiring Diagrams</u>	
Standard Fixed Control	12 & 13
Optional Pendant Control	12 & 13
<u>Maintenance and Service</u>	14
<u>Trouble Shooting</u>	15
<u>Warranty</u>	
Standard Warranty	16
Warranty Claims Handling Procedure	17
<u>Repair Parts List</u>	
Repair Parts Drawing	18
Aluminum Cartstop Repair Parts Drawing	19
Repair Parts Descriptions	20
<u>Service Records</u>	21
<u>Contact Information</u>	22

TO THE OWNER\OPERATOR:

Read this manual completely before using your gate. Operate and maintain your gate safely as outlined in this manual. Be sure you read and understand all operating, safety, maintenance and service information. Should you need repair or service information, contact Tommy Gate or an authorized distributor for assistance.



This is the safety alert symbol. It is used to alert you to potential personal injury hazards. Obey all safety messages that follow this symbol to avoid possible injury or death.



DANGER indicates an imminently hazardous situation which, if not avoided, will result in death or serious injury.



WARNING indicates a potentially hazardous situation which, if not avoided, could result in death or serious injury.



CAUTION indicates a potentially hazardous situation which, if not avoided, may result in minor or moderate injury.



CAUTION indicates a potentially hazardous situation which, if not avoided, may result in property damage.

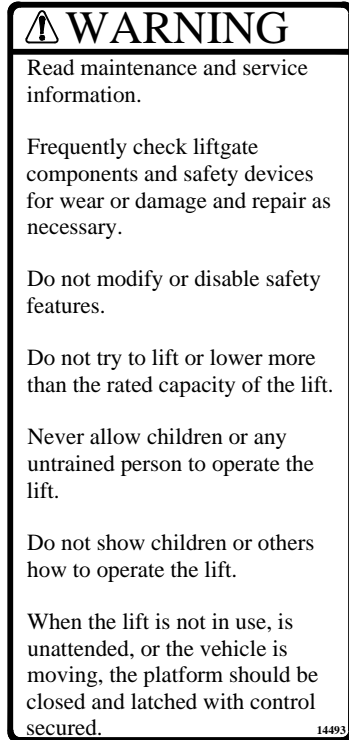
Safety is a primary concern in the design and manufacture of our products. Unfortunately, our efforts to provide safe equipment can be wiped out by a single careless act of an operator.

Accident prevention and safety are dependent upon the awareness, concern, prudence and proper training of the personnel who operate, transport, maintain and store this equipment. It is your responsibility to use good judgment in the operation of this equipment.

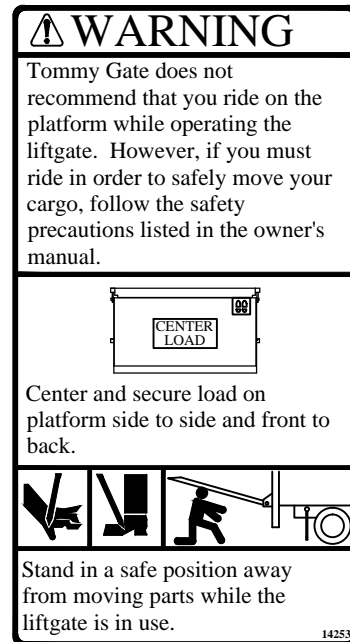
It has been said that "**the best safety device is an informed, careful operator.**" We ask you to be that kind of operator.

DECAL LOCATIONS AND DESCRIPTIONS

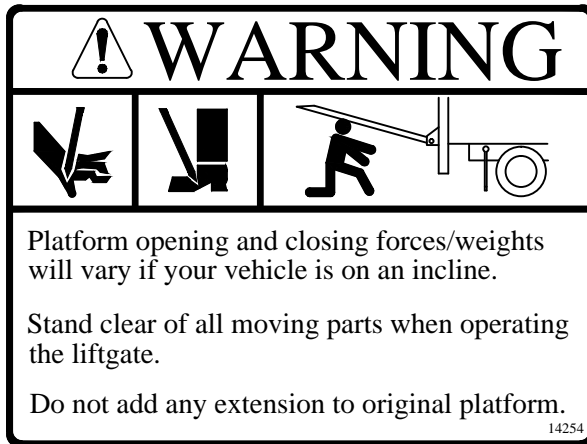
Locate and read all decals prior to operating gate
REPLACE IF MISSING OR NOT READABLE



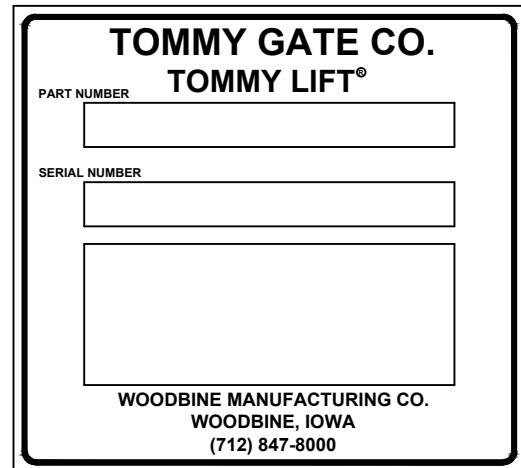
Decal No. 1
 Located on the passenger side of upright.



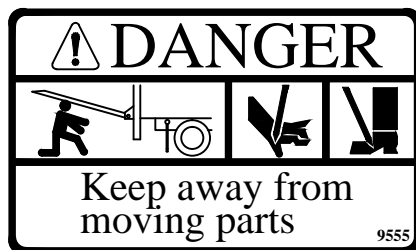
Decal No. 4
 Located on the passenger side platform lid end.



Decal No. 2
 Located on the outside right-hand corner of the platform.

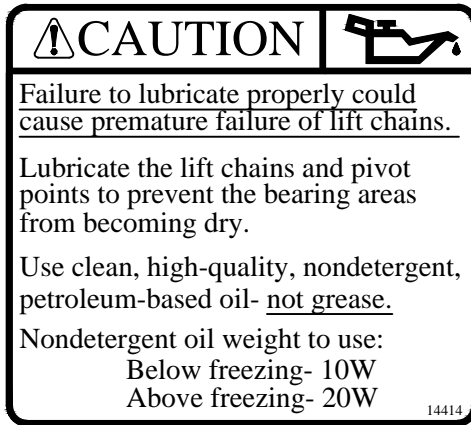


Decal No. 5
 Located on the inside of the main frame.
 Positioned over the top of the pump & motor unit.
 Located on the driver side of upright.

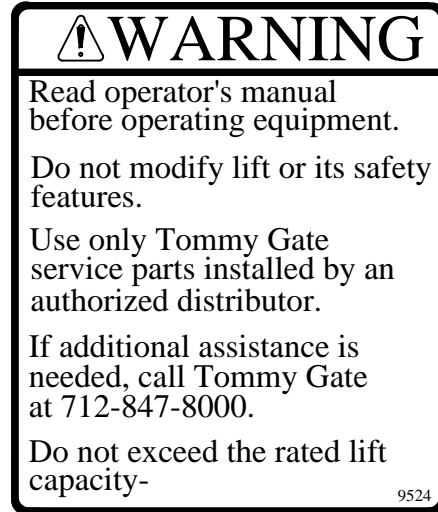


Decal No. 3
 Located on the side of uprights.

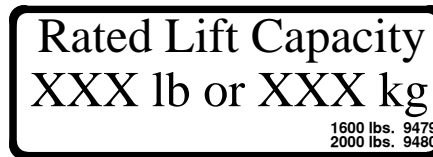
DECAL LOCATIONS AND DESCRIPTIONS



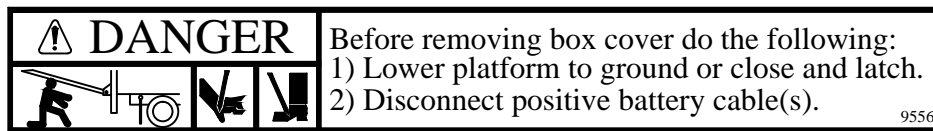
Decal No. 6
Located on the passenger side of upright.



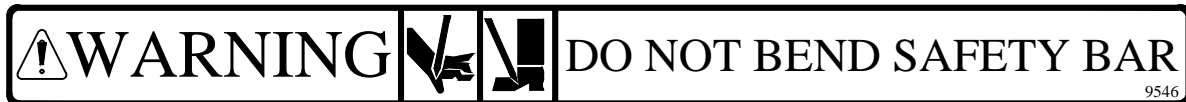
Decal No. 7
Located on the passenger side of upright.



Decal No. 8
Located on the passenger side of upright.



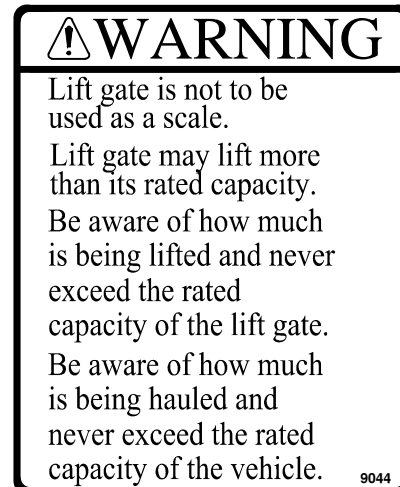
Decal No. 9
Located on box cover of gate.



Decal No. 10
Located on the safety bar and the back side of the mainframe.



Decal No. 11
Located on driver side slider nose and on passenger side torsion spring holder on models with torsion assist spring.



Decal No. 12
Located on the passenger side of upright.

DECAL LOCATIONS AND DESCRIPTIONS



Decal No. 13

Located on the safety bar in two places (ALL MODELS).

When platform is open and the flipper is folded, located on rearmost surface of the main platform. One on passenger side and one on driver side (RETENTION RAMP and RF GATES ONLY).



Decal No. 14

Located on the passenger side of upright.

DECAL REPLACEMENT

NOTE: When ordering Decals, please have Decal Numbers available.

To replace decal, clear area of grease and dirt with non-flammable solvent and soap and water. Allow to dry. To apply decal, peel off 1/2 of back. Hold decal squarely and apply to cleaned surface. Peel off remaining back and smooth in place. Gently rub decal with a damp rag or sponge to smooth out bubbles. (The decal has a pressure-sensitive adhesive on the back.)

If the liftgate **is** going to be painted, you need to mask the decals before painting. Remove the mask **after** painting so the decals can be read clearly.

RAILGATE TERMS AND METHOD OF OPERATION

Your Tommy Gate is connected to your vehicle battery. The vehicle battery powers a motor, coupled to a hydraulic pump. This motor and pump combination is called a power unit. Flow from the pump extends a cylinder to provide tension to the lift chains that lift the gate platform. A check valve blocks return flow from the cylinder to the pump and a pressure relief valve prevents the gate from being overloaded. The gate platform is lowered by gravity after the "lower" solenoid valve is activated and opened at the pump.

!Warning: Liftgate is not to be used as a scale. Liftgate may lift more than its rated capacity. Be aware of how much is being lifted and never exceed the rated capacity of the liftgate. Be aware of how much is being hauled and never exceed the rated capacity of the vehicle.

Two safety switches are mounted above the safety trip bar. These two switches interrupt power from the "raise" solenoid and direct the power to the "lower" solenoid valve if an obstruction raises the safety trip bar.

A "Low Voltage" condition exist when 7 Volts or less is present at the power unit. A low voltage condition should be corrected as soon as possible. In a "Low Voltage" situation, whether the gate actually raises or lowers depends on how low the voltage is.

Caution: Continuing to operate the the liftgate in the "Low Voltage" condition may result in failure of electrical components in the power unit.

The low voltage condition may be caused by a weak battery, loose or corroded connections, improper ground, or bad electrical cables. This condition may be corrected by just starting the vehicle or replacing the battery.

The terms used to describe parts of the railgate in this manual can be found in (Figure 1).

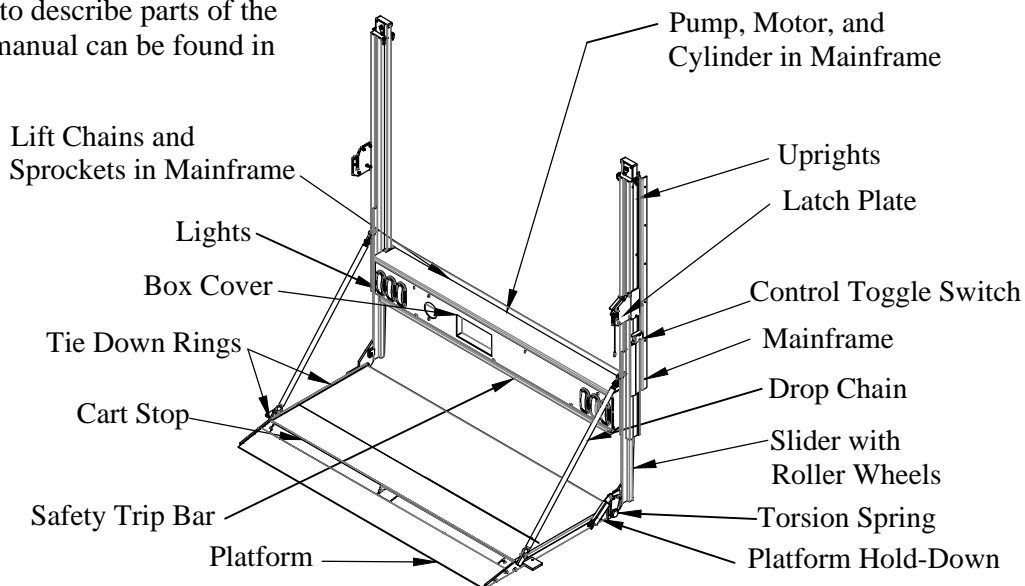


Figure 1: Railgate terms.

!Caution: Never leave the truck with the platform on the ground, partially raised, or open.

Never show children or unauthorized personnel how to operate the gate.

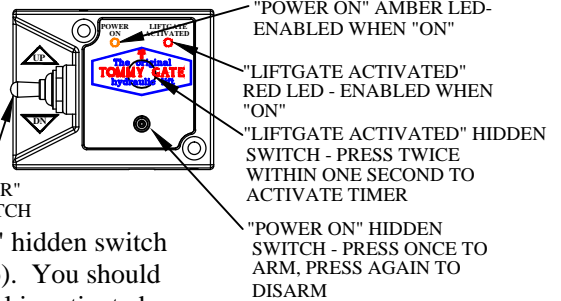
To prevent children or unauthorized personnel from operating the lift, be sure the gate is in the stored position and both the driver's side and passenger's side latches are secured. Make sure the passenger's side latch padlock is installed and the gate is deactivated with the in cab cut off switch turned off (if equipped) and the cab locked while leaving the truck unattended.

RAILGATE OPERATOR'S INSTRUCTIONS

SELF-CLOSE PLATFORM

- Step 1. **Never show children or unauthorized personnel how to operate the railgate.**
- Step 2. Clear away obstructions that could damage the platform while the load is being raised or lowered.
- Step 3. Be sure to stand to the side of the lift, not behind it when opening the platform.

Step 4. To turn the control power on, press the "POWER ON" hidden switch once, marked with white rings or circles (located below the Tommy Gate logo). You should see the amber LED "POWER ON" light when the control is armed. To disarm the control press the "POWER ON" hidden switch again.



To activate the control, press the "LIFTGATE ACTIVATED" hidden switch twice within one second (located under the Tommy Gate logo). You should see the red "LIFTGATE ACTIVATED" light when the control is activated.

Figure 2: Control terms.

To lower the platform, push the toggle switch down. To raise the platform, push the toggle switch up. When you remove pressure from the toggle switch, the operation will stop.

After you have activated the control by pressing the "LIFTGATE ACTIVATED" hidden switch twice within one second (located under the Tommy Gate logo), you have approximately 5 minutes to use the gate. If the gate is not used for approximately 5 minutes, the "LIFTGATE ACTIVATED" time deactivates the control.

If the gate is used during the 5 minutes, the "LIFTGATE ACTIVATED" timer automatically resets for an additional 5 minutes. To reactivate the timer, press the "LIFTGATE ACTIVATED" hidden button twice.

Note: If your gate includes a pendant control, the operation of the pendant will be the same but the "LIFTGATE ACTIVATED" timer will be 90 seconds.

- Step 5. Unlock and remove the latch padlock. Place the padlock in storage location (Figure 3).
- Step 6. Remove the detent pin from latch flipper (Figure 3).
- Step 7. With one hand, push up on the control toggle switch to raise the platform ear out of the latch plate, while keeping the other hand clear (Figure 4).
- Step 8. When the platform ear is above the latch plate, rotate the platform away from the truck by pulling on the self close arm handle (Figure 4).
- Step 9. Lower the platform slowly and remove hand from self close arm handle when the ear has cleared the latch plate (Figure 5).

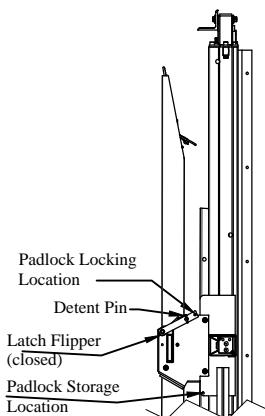


Figure 3: Step 5 & 6.

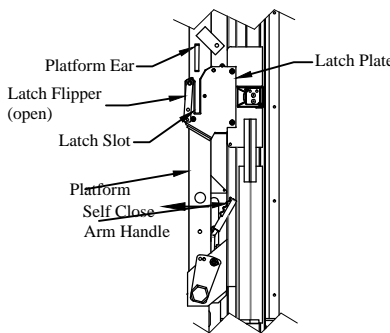


Figure 4: Step 7 & 8.

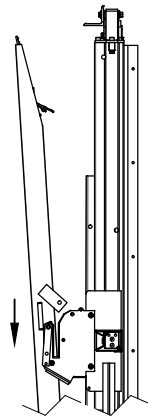


Figure 5: Step 9.

RAILGATE OPERATOR'S INSTRUCTIONS

SELF-CLOSE PLATFORM

- Step 9. Continue to lower the platform slowly allowing the platform self close arm to unfold the platform to the horizontal position. Check to make sure the self close arm returns to the neutral position (Figure 6).
- Step 10. To load and use the railgate, center the load on the platform side to side and front to back (Figure 7). Put heavier loads as close to the front of the platform as possible (near truck). Platform cart stops may be actuated at this time, if equipped. Tie down rings are provided to help secure the load.

Note: Railgate capacity depends on both the weight and location of the load. Loads placed closer to the taper may reduce lifting capacity or damage the liftgate.

⚠ WARNING

Tommy Gate does not recommend that you ride on the platform while operating the liftgate. However, if you must ride in order to safely move your cargo, follow these safety precautions.

- A. Inspect the liftgate prior to use. Do not operate if unsafe conditions exist.
- B. Always secure load in a safe manner to prevent shifting of the load. Center and secure load on platform side to side and front to back.
- C. To avoid overloading the liftgate, derate the capacity by the weight of the operator.
- D. Stand in the area indicated by the footprints in the figure below (Figure 5), keeping hands and feet away from the edges and any moving parts.
- E. Use only a pendant control or a control mounted on the inside of the outrail or truck to operate the lift while standing on the platform.

- Step 11. To raise (or lower) the load, push up (or down) on the toggle switch until the load has reached the desired position. **Be sure the folding mechanism is disengaged.** Do not allow the pump and motor to continue to run after the platform has reached its maximum height or after it has reached an obstruction (Figure 8).

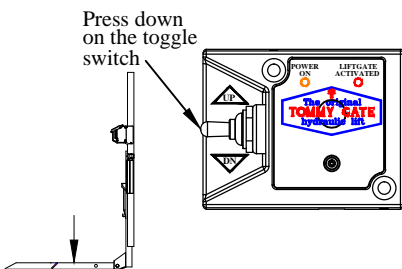


Figure 6: Step 9.



Figure 7: Step 10.

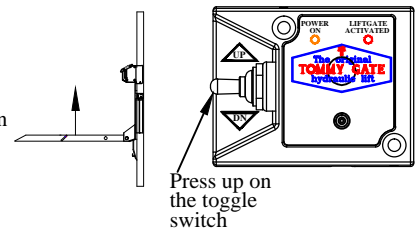


Figure 8: Step 11.

- Step 12. To close the platform, stand to the passenger's side of the platform, not under or behind the platform. With the platform lowered, engage the self-close mechanism and hold it in the engaged position while slowly raising the platform. After the platform begins to fold, step away from the lift and raise the platform until the latch ear is above the latch slot (Figure 9).
- Step 13. Slowly lower the platform into the latch plates until the platform ear reaches the bottom of the latch slot (Figure 10).
- Step 14. Rotate the latch flipper closed and insert the detent pin through the flipper and latch plate (Figure 11).
- Step 15. Always install the latch padlock and deactivate the control when not in use (Figure 11).

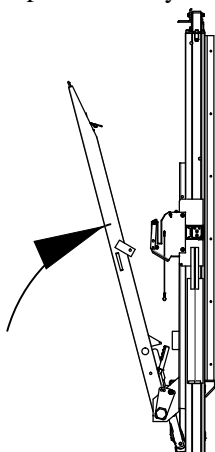


Figure 9: Step 12.

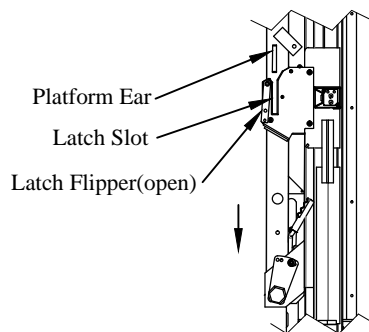


Figure 10: Step 13.

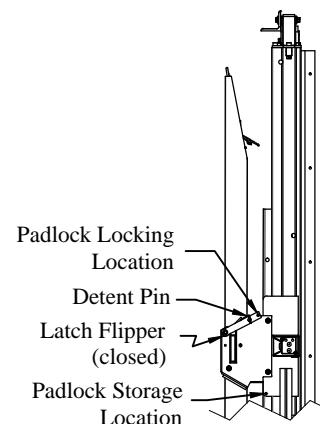


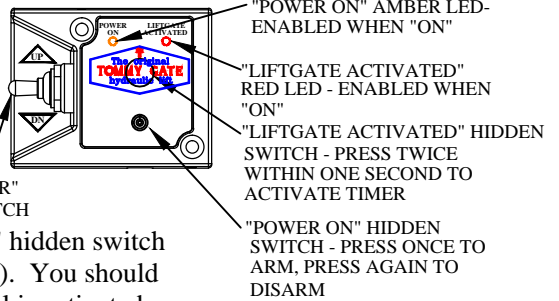
Figure 11: Steps 14 & 15.

RAILGATE OPERATOR'S INSTRUCTIONS

TORSION ASSIST PLATFORM

- Step 1. **Never show children or unauthorized personnel how to operate the railgate.**
- Step 2. Clear away obstructions that could damage the platform while the load is being raised or lowered.
- Step 3. Be sure to stand to the side of the lift, not behind it when opening the platform.

Step 4. To turn the control power on, press the "POWER ON" hidden switch once, marked with white rings or circles (located below the Tommy Gate logo). You should see the amber LED "POWER ON" light when the control is armed. To disarm the control press the "POWER ON" hidden switch again.



To activate the control, press the "LIFTGATE ACTIVATED" hidden switch twice within one second (located under the Tommy Gate logo). You should see the red "LIFTGATE ACTIVATED" light when the control is activated.

Figure 12: Control terms.

To lower the platform, push the toggle switch down. To raise the platform, push the toggle switch up. When you remove pressure from the toggle switch, the operation will stop.

After you have activated the control by pressing the "LIFTGATE ACTIVATED" hidden switch twice within one second (located under the Tommy Gate logo), you have approximately 5 minutes to use the gate. If the gate is not used for approximately 5 minutes, the "LIFTGATE ACTIVATED" time deactivates the control.

If the gate is used during the 5 minutes, the "LIFTGATE ACTIVATED" timer automatically resets for an additional 5 minutes. To reactivate the timer, press the "LIFTGATE ACTIVATED" hidden button twice.

Note: If your gate includes a pendant control, the operation of the pendant will be the same but the "LIFTGATE ACTIVATED" timer will be 90 seconds.

- Step 5. Unlock and remove the latch padlock. Place the padlock in storage location (Figure 13).
- Step 6. Remove the detent pin from latch flipper (Figure 13).
- Step 7. With one hand, push up on the control toggle switch to raise the platform ear out of the latch plate, while holding the platform in the vertical position with the other hand (Figure 14).
- Step 8. Continue to raise the platform until the platform ear clears the latch flipper, and the latch flipper rotates closed (Figure 15).
- Step 9. While platform is in vertical position, lower to the desired level (Figure 16).
- Step 10. Use both hands and unfold the platform to the horizontal position and engage the platform hold-down (if equipped).

Note: Grasp the platform as high as possible to reduce the required opening weight of the platform.

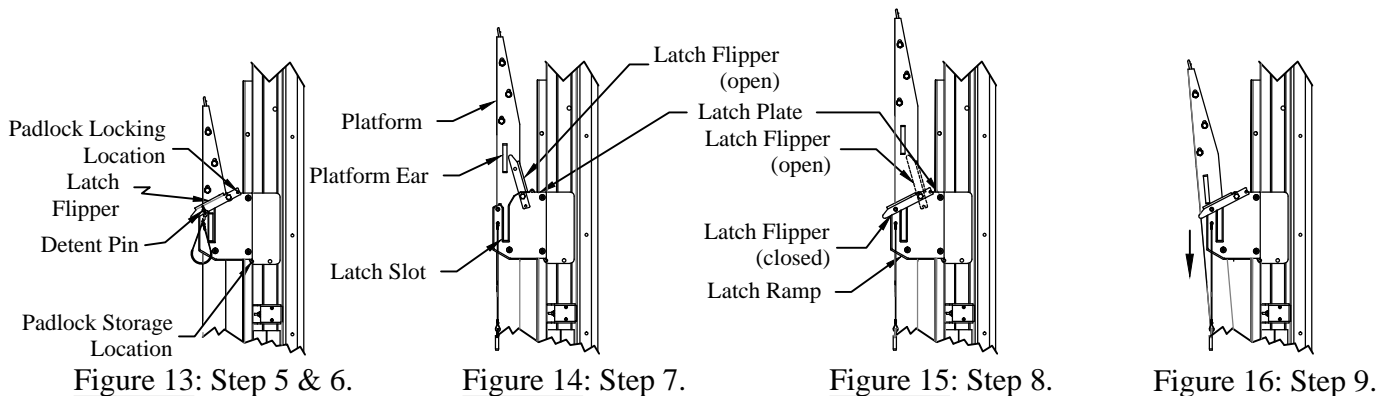


Figure 13: Step 5 & 6.

Figure 14: Step 7.

Figure 15: Step 8.

Figure 16: Step 9.

RAILGATE OPERATOR'S INSTRUCTIONS

TORSION ASSIST PLATFORM

- Step 11. Lower the platform to the ground by pressing down on the toggle switch.
- Step 12. To load and use the railgate, center the load on the platform side to side and front to back (Figure 18). Put heavier loads as close to the front of the platform as possible (near truck). Platform cart stops may be actuated at this time, if equipped. Tie down rings are provided to help secure the load.
- Note:** Railgate capacity depends on both the weight and location of the load. Loads placed closer to the taper may reduce lifting capacity or damage the liftgate.

⚠ WARNING

Tommy Gate does not recommend that you ride on the platform while operating the liftgate. However, if you must ride in order to safely move your cargo, follow these safety precautions.

- A. Inspect the liftgate prior to use. Do not operate if unsafe conditions exist.
- B. Always secure load in a safe manner to prevent shifting of the load. Center and secure load on platform side to side and front to back.
- C. To avoid overloading the liftgate, derate the capacity by the weight of the operator.
- D. Stand in the area indicated by the footprints in the figure below (Figure 5), keeping hands and feet away from the edges and any moving parts.
- E. Use only a pendant control or a control mounted on the inside of the outrail or truck to operate the lift while standing on the platform.

- Step 13. To raise (or lower) the load, stand off to the side, well clear of the platform and push up (or down) on the control toggle switch until the load has reached the desired position. Do not allow the pump and motor to continue to run after the platform has reached it's maximum height or after it has reached an obstruction (Figure 19).

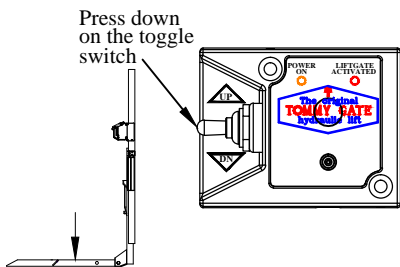


Figure 17: Step 11.

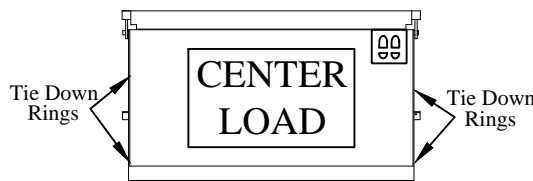


Figure 18: Step 12.

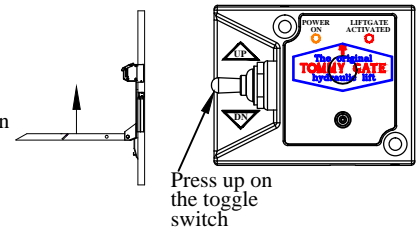


Figure 19: Step 13.

- Step 14. To close the platform, stand to the passenger's side of the platform, not under or behind the platform. Position the platform approximately 4" below bed height. Lift up on the platform hold-down (if equipped) to disengage it. Use both hands to fold the platform to the vertical position (Figure 20).
- Step 15. Raise the folded up platform until the platform latch ear opens the latch flipper and is above the latch slot (Figure 21).
- Step 16. Hold the platform vertical against the latch flipper with one hand and slowly lower the platform into the latch plates until the platform ear reaches the bottom of the latch slot and the latch flipper is closed. Insert the detent pin through the flipper and latch plate (Figure 22).
- Step 17. Always install the latch padlock and deactivate the control when not in use (Figure 22).

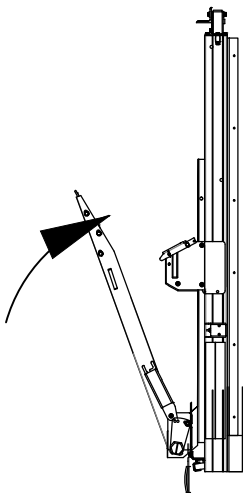


Figure 20: Step 14.

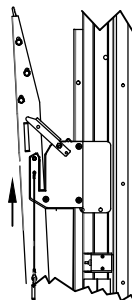


Figure 21: Step 15.

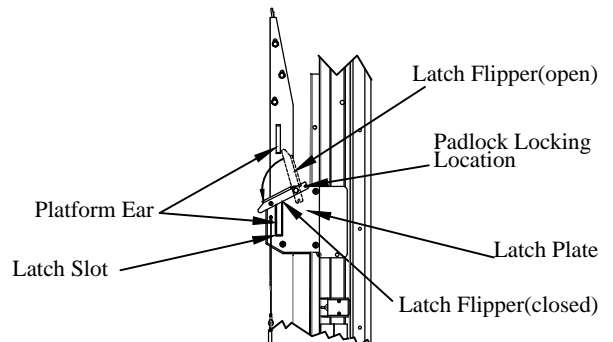


Figure 22: Steps 16 & 17.

ELECTRICAL WIRING DIAGRAM

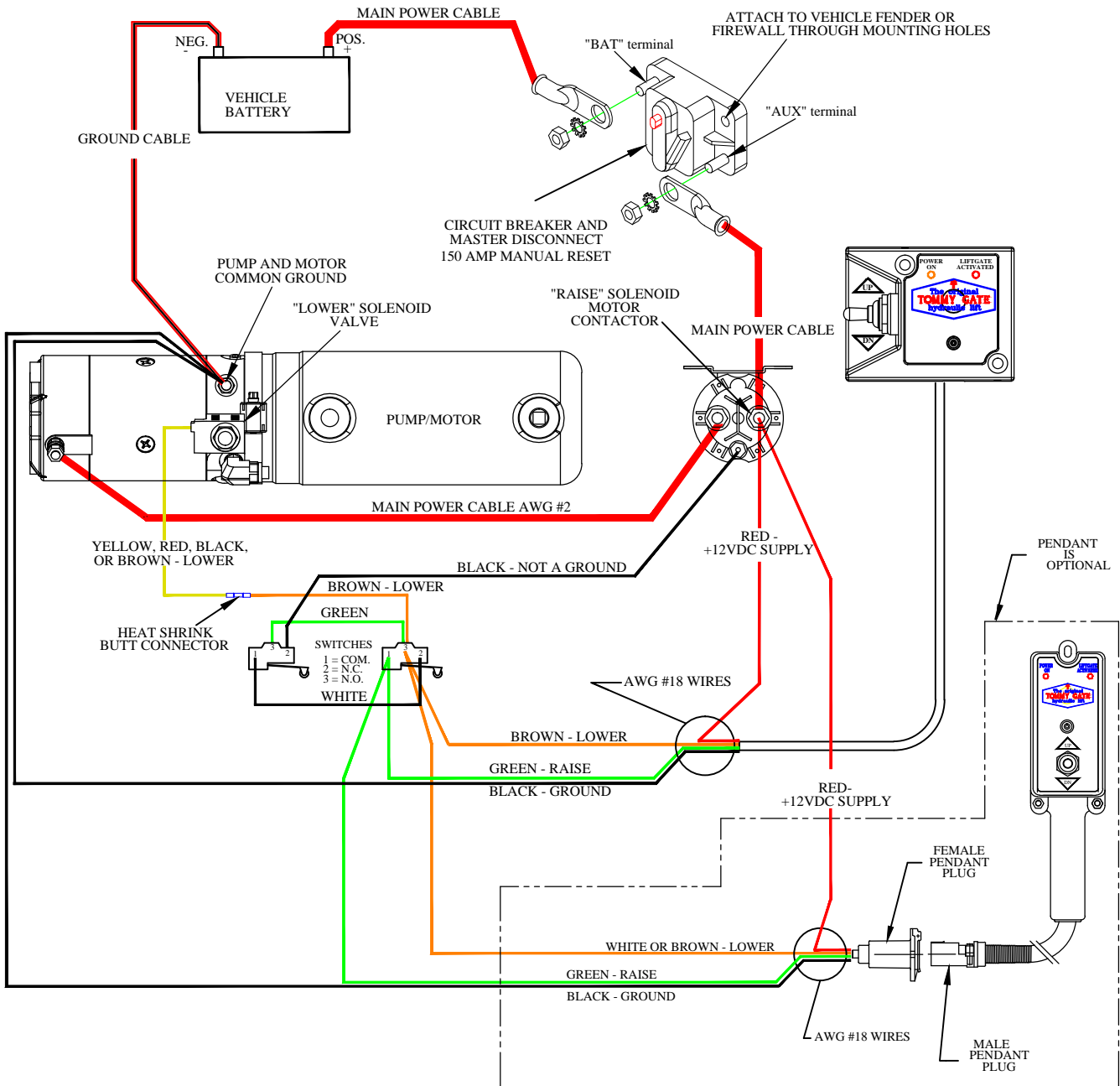
!!! PLEASE READ AND FOLLOW ALL DIRECTIONS BEFORE PROCEEDING !!!



NOTE !!! IF GATES ARE NOT WIRED IN ACCORDANCE WITH THIS DIAGRAM YOUR WARRANTY WILL BE VOID.

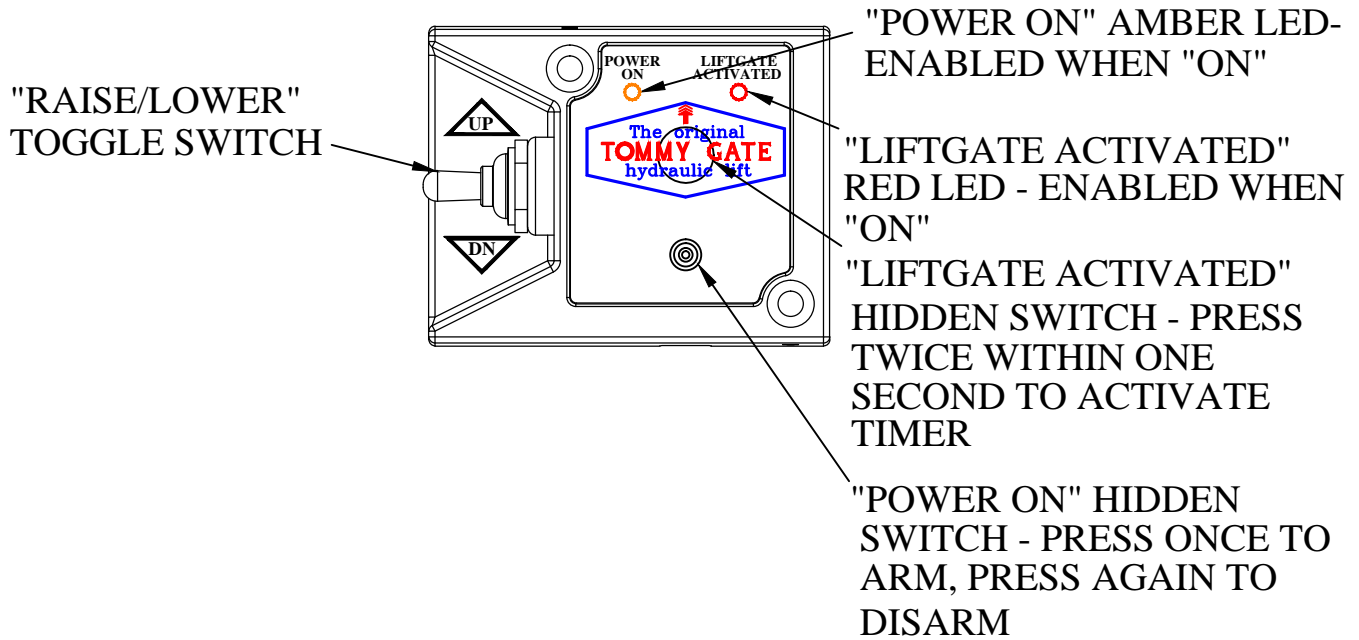


WELDING NOTE !!! DISCONNECT ALL BATTERY CABLES. ALWAYS DISCONNECT THE GROUND CABLE FIRST. ATTACH THE WELDING GROUND TO THE TRUCK RATHER THAN THE LIFTGATE.





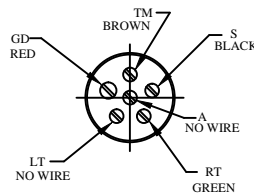
CONTROL OPERATION



ELECTRICAL WIRING DIAGRAM Optional Pendant Control - Railgate

PENDANT PLUG WIRING DIAGRAM

FEMALE CONNECTOR BACK VIEW
WIRE INSERTION SIDE



COLE HERSEE SOCKET END	
POSITION	WIRE COLOR
S	BLACK
RT	GREEN
LT	NO WIRE
TM	BROWN
A	NO WIRE
GD	RED

MAINTENANCE AND SERVICE INFORMATION

The Tommy Gate Railgate needs to be serviced every 120 days or 1500 cycles, whichever comes first.

The lift will not be automatically serviced when the vehicle is serviced.

If there is any noticeable problem with the liftgate between service intervals, the liftgate must be taken out of service and checked immediately.

As with any mechanical product, a preventive maintenance program needs to be followed in order to keep the lift in its best operating condition. Please review this information and if you should have any questions please call (712) 847-8000. Please have your model number and serial number available.

All installations, re-installations, and repairs of Tommy Gate Railgates should be performed by a qualified authorized distributor that is familiar with its operation and safety features. All replacement parts must be of original quality, and all safety and operational decals must be attached. No modifications are allowed to a Tommy Gate product unless authorized by the Engineering Department at Tommy Gate.

MAINTENANCE PROCEDURE

- (A) Remove the box cover.
- (B) Check for fluid leaks from the cylinder, hoses, and all fittings (replace or repair if found to be leaking).
- (C) Check the oil level in the reservoir. With the liftgate platform at the bottom of its travel, the fluid should be two-thirds full. **BE SURE THE CYLINDER IS COMPLETELY COLLAPSED.** Add Tommy Gate winter grade, ISO grade 32 hydraulic, or Dexron III/ Mercon ATF if needed.
- (D) Check the inside of the box for excessive accumulation of dirt. Clean as necessary.
- (E) Check the roller chains, the platform drop chains, the platform, the uprights, the roller wheels, and the sprockets for damage or excessive wear. Replace any worn or damaged parts.

NOTE: If no issues are found during the 120 day inspections, we recommend that the chains be replaced after 4 years or 10,000 cycles whichever comes first. Chains should be replaced with original "Tommy Gate" roller chain only.

- (F) Clean the inside surfaces of the uprights with a nonflammable solvent. Lubricate the roller chains with clean, high quality, nondetergent, petroleum-based oil **DO NOT USE GREASE.** Use nondetergent 10W @ (14°F-32°F), 20W @ (32°F-104°F), and 30W @ (104°F-122°F).
- (G) While chain sprockets bearings are of a type that **DO NOT** require lubrication, in the event a bearing is noisy, it is acceptable to lubricate with lubricant recommended in (F).
- (H) Check the welds on the railgate, its mounting brackets and on the adjacent vehicle structure for cracks or damage. Repair any cracks or damage.
- (I) Check the torque on all mounting bolts and re-tighten as necessary.

TROUBLE SHOOTING - 1600 & 2000 RAILGATE SERIES

PROBLEM	POSSIBLE CAUSE	REMEDIES
1.) Lift will not operate - "POWER ON" amber LED light does not come on.	<ul style="list-style-type: none"> a.) Control not armed properly. b.) Poor electrical connection. c.) Polarity is reversed. d.) Circuit breaker tripped or disengaged. e.) Faulty control. 	<ul style="list-style-type: none"> a.) Turn the power on at the control by pressing the "POWER ON" hidden switch, marked with white rings or circles (located between the Tommy Gate logo and the toggle switch). b.) Check and repair or replace all cables and connections. c.) Switch positive and negative cables. d.) Check for short, then manually engage circuit breaker. e.) Replace Control.
2.) Lift will not operate - "LIFTGATE ACTIVATED" red LED light does not come on.	<ul style="list-style-type: none"> a.) "POWER ON" amber LED light is blinking. b.) Control not activated properly. c.) Faulty control. 	<ul style="list-style-type: none"> a.) Low voltage condition. Check and repair or replace all cables and connections. b.) Press the "LIFTGATE ACTIVATED" hidden switch twice within one second (located under the Tommy Gate logo). The red "LIFTGATE ACTIVATED" LED light should come on. c.) Replace control.
3.) Blinking amber "POWER ON" LED.	<ul style="list-style-type: none"> a.) Low voltage condition. b.) Poor grounds or connections. c.) Power connected or reconnected since last use. 	<ul style="list-style-type: none"> a.) Check and clean or repair all electrical connections. Load test battery, then recharge or replace battery, if required. b.) Repair, replace, clean as necessary. c.) Normal, press bullseye once to activate solid "POWER ON" amber LED.
4.) Lift will not raise or raises slowly - control working properly.	<ul style="list-style-type: none"> a.) Poor electrical connection. b.) Battery charge is low. c.) Release valve stuck partially open or dirty. d.) Release valve needs replacement. e.) "Raise" solenoid not working. f.) Safety bar switch bent- Holding release solenoid open. g.) Oil level low. h.) Vent plug not installed or dirty. i.) Overloaded liftgate. j.) Lifting roller chains improperly adjusted. 	<ul style="list-style-type: none"> a.) Check power and ground cables and all connections. b.) Recharge or replace battery. c.) Raise platform completely and continue to run pump for 5 seconds. d,e,f.) Contact Tommy Gate or distributor. g.) Check oil and add ISO grade 32, Tommy Gate winter grade hydraulic, or Dexron III/Mercon ATF. h.) Check vent plug on pump tank. A red shipping plug is installed at factory. It must be replaced by the metal vented plug. i.) Remove some material or weight. j.) Adjust Lifting roller chains.
5.) Lift settles down slowly with load or no load.	<ul style="list-style-type: none"> a.) Hoses or fittings leaking. b.) Check valve stuck or dirty. c.) Check valve damaged. d.) Cylinder seals worn or damaged. e.) Down solenoid sticking partially open. 	<ul style="list-style-type: none"> a.) Tighten or replace. b.) Raise and lower lift several times to flush out valve. c,d,e.) Contact Tommy Gate or distributor for repair or replacement.
6.) Pump or motor noisy.	<ul style="list-style-type: none"> a.) Worn pump, motor or coupling. b.) Oil level low 	<ul style="list-style-type: none"> a.) Contact Tommy Gate or distributor. b.) Check oil and add ISO grade 32, Tommy Gate winter grade hydraulic, or Dexron III/Mercon ATF.
7.) Lift lowers very slowly, especially in cold weather.	<ul style="list-style-type: none"> a.) Cold, thick, oil. 	<ul style="list-style-type: none"> a.) Check oil type. Add winter grade Tommy Gate hydraulic or Dexron III/Mercon ATF.
8.) Lift will not lower.	<ul style="list-style-type: none"> a.) Control not armed and activated - No amber "POWER ON" LED or red "LIFTGATE ACTIVATED" LED light on. b.) Poor electrical connections. d.) If control working properly, damaged or non-working release solenoid. 	<ul style="list-style-type: none"> a.) Press the "POWER ON" hidden switch, marked with white rings or circles (located between the Tommy Gate logo and the toggle switch). The amber "POWER ON" LED light should come on. Now press the hidden "LIFTGATE ACTIVATED" switch twice within one second (located under the Tommy Gate logo). The red "LIFTGATE ACTIVATED" LED light should come on. b.) Check and clean or repair all electrical connections. d.) Contact Tommy Gate or distributor.
9.) Gate does not lower smoothly.	<ul style="list-style-type: none"> a.) Lift chains need to be adjusted. b.) Installer has left a burr at bottom of uprights. c.) Load has been put off to one side of platform. d.) Platform drop chains improperly adjusted. 	<ul style="list-style-type: none"> a.) Adjust lift chains so platform is level with top of mainframe on both driver's and passenger's side. b.) Raise and close platform, grind or file off burr from outtrail. c.) Center load on the platform. d.) Adjust platform drop chains.
10.) Gate lowers when trying to raise.	<ul style="list-style-type: none"> a.) Safety trip bar damaged. b.) Safety switch bent or stuck open. 	<ul style="list-style-type: none"> a.) Straighten or replace safety bar. b.) Check switches for free movement up and down.



STANDARD WARRANTY

The Tommy Gate Company provides a limited warranty against faulty materials or workmanship.

2-Year Warranty

Tommy Gate pump and motor unit parts are guaranteed for two (2) full years from date of user purchase against faulty materials or workmanship.

2-Year Warranty

Tommy Gates are guaranteed for (2) years from the date of user purchase against faulty materials or workmanship.

All affected parts must be returned to the factory prepaid - with full credit issued for those found to be defective. Warranty replacement parts will be shipped from the factory prepaid.

Labor charges to install warranty replacement parts shall be paid in accordance with Tommy Gate's estimated repair time guide and a flat hourly rate established by Tommy Gate.

DEVIATION FROM THE WARRANTY TIMES LISTED MUST BE AUTHORIZED BY TOMMY GATE COMPANY IN ADVANCE.

The warranty does not include damage resulting from improper installation procedures. Parts must be installed according to Tommy Gate Company's specifications.

Tommy Gate Company will not pay labor for removing other equipment to gain access to Tommy Gate Equipment. Tommy Gate Company will not pay labor for time on the road to and from a service call.

Tommy Gate Company reserves the right to disallow or reduce claims for parts which have been damaged due to misuse, abuse, accidents, improper shipping; or parts which have been incorrectly or unnecessarily replaced.

The warranty is void if the product has been subject to other than normal use. **THERE ARE NO WARRANTIES, EXPRESS OR IMPLIED, INCLUDING THE WARRANTY OF MERCHANTABILITY OR A WARRANTY OF FITNESS FOR A PARTICULAR PURPOSE EXTENDING BEYOND THAT SET FORTH ABOVE.**

NOTE: SEE FOLLOWING PAGE FOR THE WARRANTY CLAIMS HANDLING PROCEDURE.



WARRANTY CLAIMS HANDLING PROCEDURE

The following procedures are required when an authorized distributor submits a warranty claim for a defective Tommy Gate part:

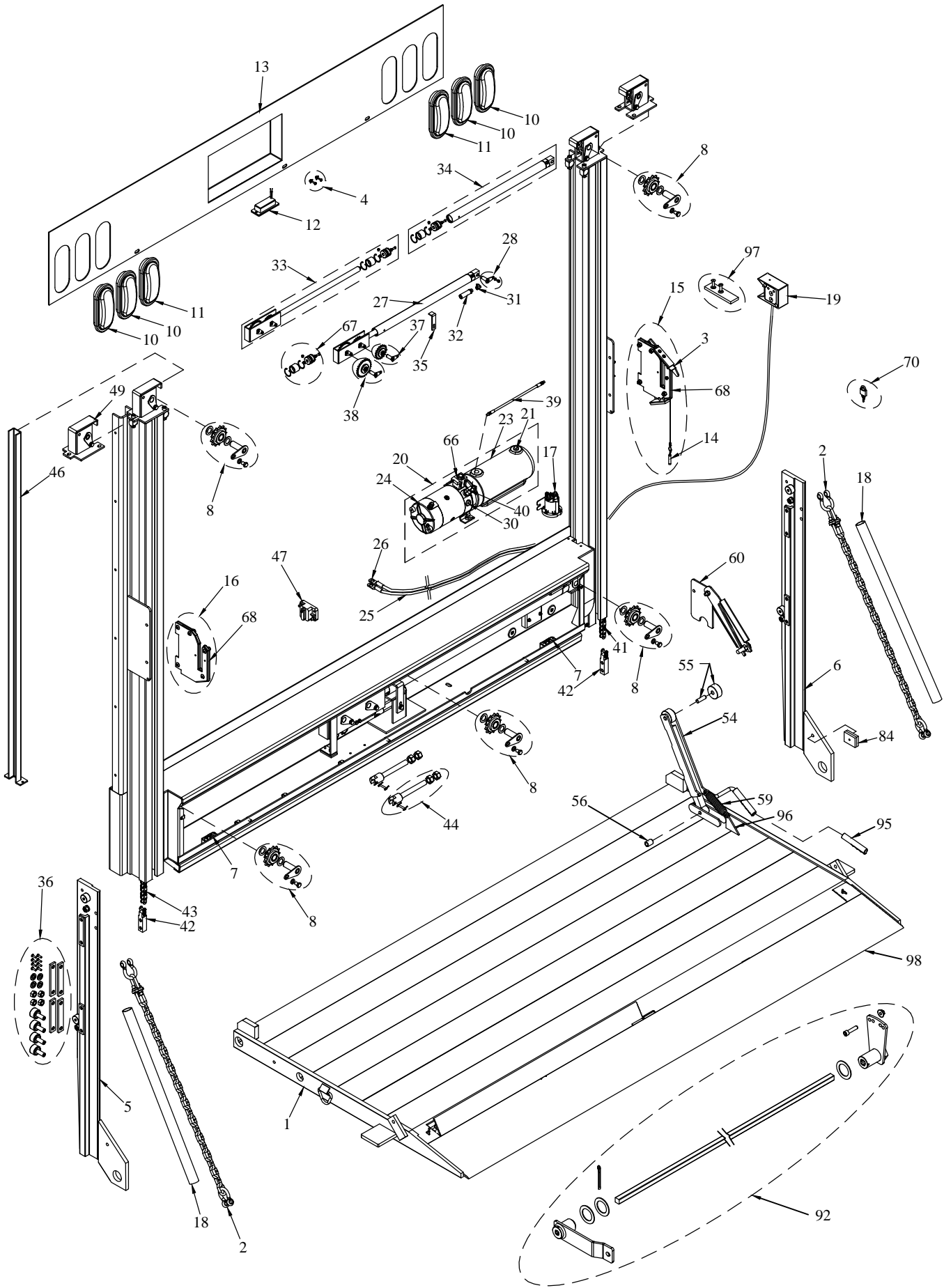
1. Before any expense is incurred, but after the problem has been diagnosed, the authorized distributor should contact Tommy Gate Company's Warranty Department to discuss the problem and its correction.
2. If it is determined that the condition is potentially covered by Tommy Gate Company's warranty, the authorized distributor will receive instructions on how to proceed. A decision will be made to either repair or replace the product or part in question.
3. If the product or parts are to be repaired, the authorized distributor will receive a **WARRANTY REQUEST NUMBER**.
4. If the product or parts are to be replaced, the authorized distributor will be instructed to either hold the parts for inspection by a representative, in which case the authorized distributor will receive a **WARRANTY REQUEST NUMBER**, or the authorized distributor will be asked to return the product for inspection to Tommy Gate Company, in which case the authorized distributor will receive a **RETURN GOODS AUTHORIZATION NUMBER**. Under no circumstances are parts to be returned without a **RETURN GOODS AUTHORIZATION NUMBER**.
5. After the repair or replacement work is completed, the authorized distributor will submit the claim to Tommy Gate Company with the following information.
 - a. Tommy Gate Company **WARRANTY REQUEST** and/or **RETURN GOODS AUTHORIZATION NUMBER**.
 - b. Tommy Gate model number.
 - c. Tommy Gate serial number.
 - d. Tommy Gate part number involved and a description of the apparent problem or defect.
 - e. Authorized distributor performing warranty work.
 - f. Person responsible for warranty work (contact).
 - g. Distributor from whom lift gate was purchased.
 - h. Lift gate owner's name, address, and phone number.
 - i. Action taken, cost involved, complete with work orders and parts expense invoices.
6. If defective parts are to be returned to Tommy Gate Company they:
 - a. Must be packaged for each individual warranty return. No multiple warranty claims in the same box.
 - b. Must be returned "freight prepaid" to Tommy Gate Company's location.
 - c. Must be clearly marked with the **RETURN GOODS AUTHORIZATION NUMBER** on the outside of the package.

Warranty claims must be submitted by the Authorized Distributor on behalf of their customer as part of their customer assistance.

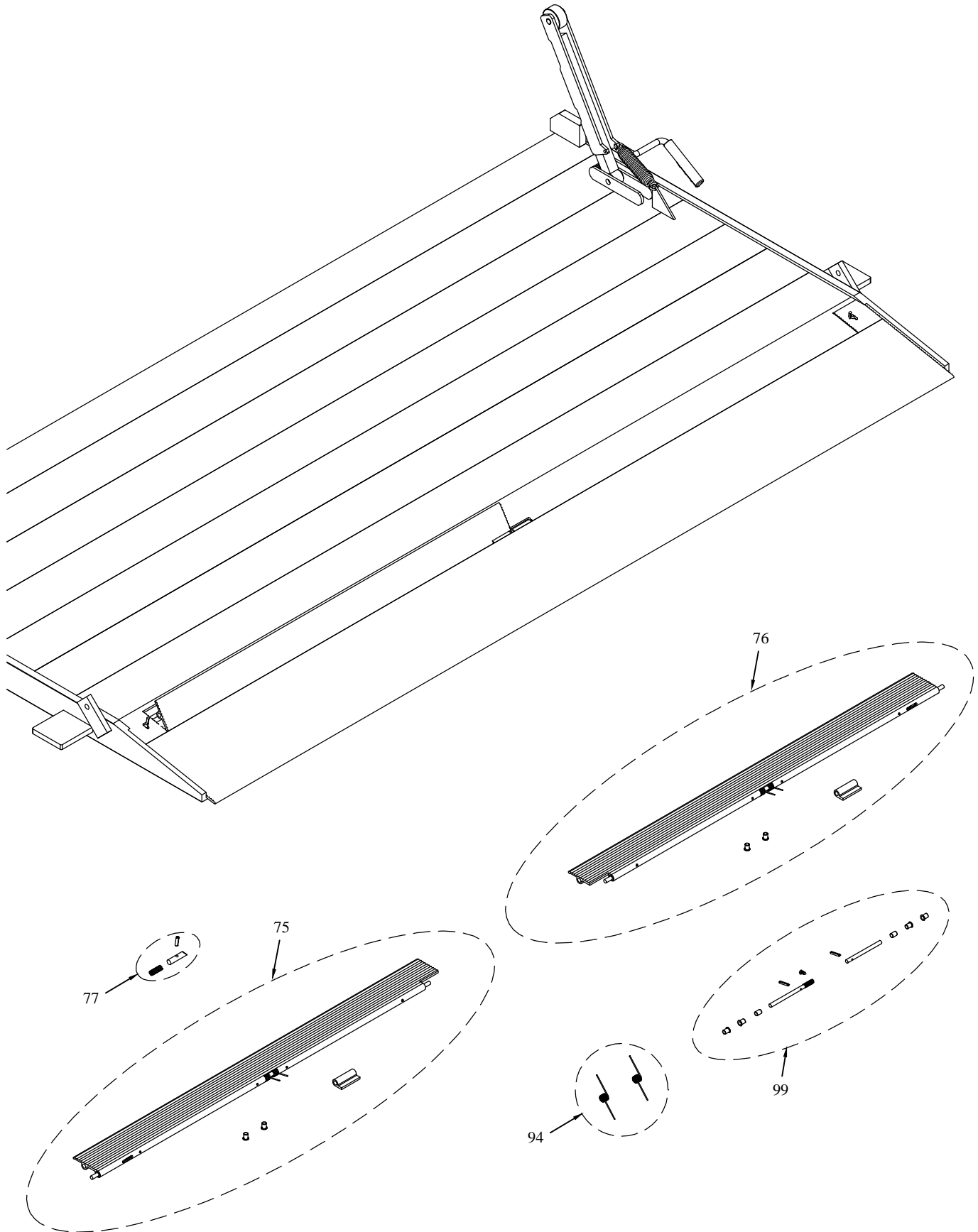
Warranty claim acceptance or rejection is based solely upon defective part inspection and a review of the claim date (outlined in step 5 above) as they apply to the requirements of Tommy Gate Warranty. Claim reimbursement after acceptance is governed by those allowances previously agreed upon between Tommy Gate Company and the Authorized Distributor (as outlined in Steps 1-4 above).

Any warranty claims submitted without a WARRANTY REQUEST NUMBER or RETURN GOODS AUTHORIZATION NUMBER and the necessary information will be denied.

1600 & 2000 ALUMINUM ROLLER RAILGATE SERIES REPAIR PARTS DRAWING



1600 & 2000 ALUMINUM ROLLER RAILGATE SERIES ALUMINUM CARTSTOP REPAIR PARTS DRAWING

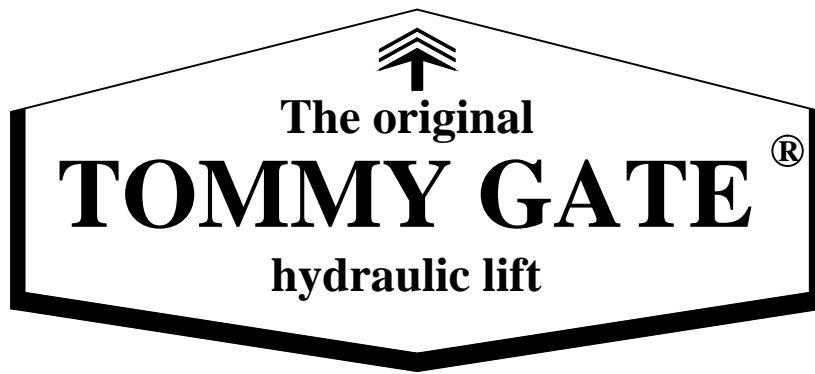


1600 & 2000 ALUMINUM ROLLER RAILGATE SERIES REPAIR PARTS LIST

ITEM#	DESCRIPTION	ITEM#	DESCRIPTION
1	Platform	37	19 Tooth Sprocket
2	Platform Chains	38	25 Tooth Sprocket
3	Latch Flipper	39	Hydraulic Hose
4	License Plate Mount Kit	40	90 Degree Pump Elbow
5	Slider-driver's side	41	Roller Chain-Passenger's Side
6	Slider-passenger's side	42	Roller Chain Attachment Fitting
7	Safety Switch	43	Roller Chain- Driver's Side
8	13 Tooth Sprocket	44	Adjustment Screw, Clevis & Pin
10	Red Light	46	Roller Chain Cover- Above Bed only
11	Clear Light	47	150 Amp Manual Reset Circuit Breaker
12	License Plate Light	48	Upright Cap-passenger's side
13	Box Cover w/Lights	49	Upright Cap-driver's side
14	Lanyard and Pin	54	Self-Close Arm
15	Passenger Side Latch Kit	55	Self-Close Roller
16	Driver Side Latch Kit	56	Self-Close Arm Bushing
17	Raise Solenoid	59	Extension Spring
18	Cloth Chain Cover	60	Platform Hold Down
19	Timed Control	65	Safety Trip Bar
20	Pump & Motor	66	Release Solenoid
21	Vent Plug	67	Cylinder Repair Kit
23	Tank	68	Poly. Latch Plate
24	Motor-Only	70	Latch Padlock
25	Two-Wire Electric Cable	75	Left Cartstop Assembly
26	Copper Lug	76	Right Cartstop Assembly
27	Cylinder	77	Cartstop Latch & Spring
28	Cylinder Pin	84	Platform Stop Block
30	Lee Check Valve	92	Square Torsion Spring
31	Steel Cylinder Elbow	94	Cartstop Torsion Springs
32	Flow Control	95	Self-close Rubber Handle
33	Cylinder Shaft	96	Platform Triangle Deadman
34	Cylinder Barrel	97	Latch Flipper Wear Plate
35	Cylinder Clamp	98	Bolt On Taper
36	Bearing & Pad Set	99	Cartstop Hinge Kit

Note:

The item number **is not** the part number. Please have the model number and serial number available before calling for repair parts.



**America's First Name
in Liftgates™**



CAUTION

Before installing or using this liftgate, please observe the Vehicle Loading Limitations. These loading limitations are outlined in the Vehicle Owner's Manual and the Safety Compliance Certification Label located on the drivers door pillar.



CAUTION

**Manufacturing Plant:
83 Bus Brown Drive
Woodbine, Iowa 51579
FAX (712) 647-2417**

**Corporate Offices:
33717 N. Scottsdale Rd. Ste 120
Scottsdale, AZ 85266
FAX (602) 955-3902**

**(712) 847-8000
www.tommygate.com**

